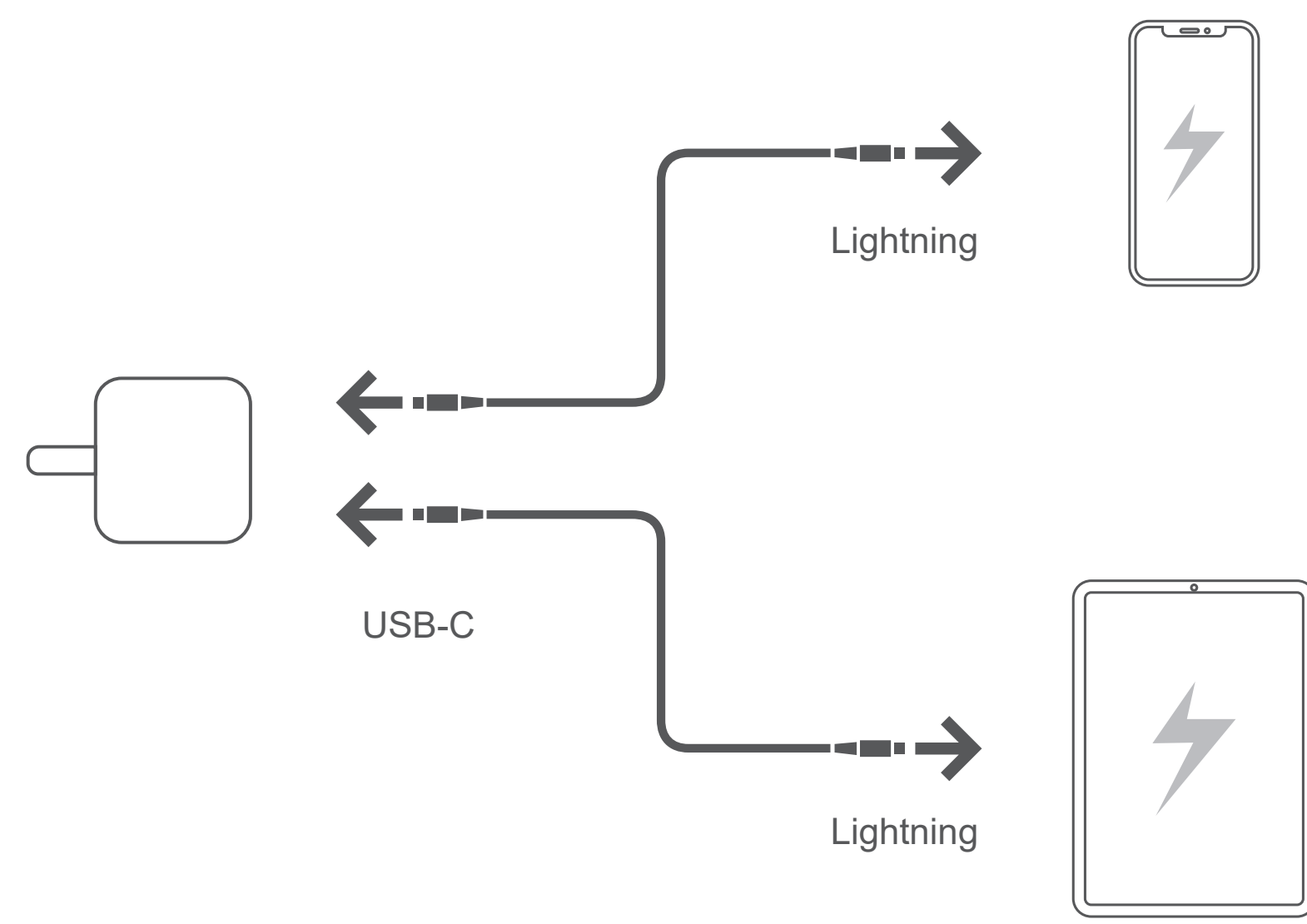


## User Manual

### USB-C to Lightning Cable

#### Diagram



#### Specification

Input Interface	USB-C
Output Interface	Lightning
Rated current	3A Max

#### Package Contains

USB-C to Lightning Cable × 1

User Manual × 1

#### The Name and Content of Hazardous Substances in the Product

Name of Parts	Hazardous Substances					
	Pb	Hg	Cd	Cr VI	PBB	PBDE
PCB	×	○	○	○	○	○
Attachment	×	○	○	○	○	○

This table is compiled in accordance with SJ/T 11364.

○: Indicates that the content of the hazardous substance in all homogeneous materials of the part is below the limit requirements specified in GB/T 26572.

×: Indicates that the content of the hazardous substance in at least one homogeneous material of the part exceeds the limit requirements specified in GB/T 26572.

#### Warranty Card

Dear users, thank you for using Huntkey's products. In order to get a better service, please read, fill out and properly keep this warranty card after purchasing the product.

User's Name \_\_\_\_\_

Address/Zip Code \_\_\_\_\_

Phone Number \_\_\_\_\_

Product Model \_\_\_\_\_

Product Serial Number \_\_\_\_\_

Date of Purchase \_\_\_\_\_

Invoice Number \_\_\_\_\_

Marketing Unit \_\_\_\_\_

Add/Phone of Marketing Unit \_\_\_\_\_

#### Warranty Description

If there is a failure caused by non-man-made reasons, consumers who legally purchased Huntkey products can enjoy product warranty services within 12 months from the date of purchase.

In order to ensure your legitimate rights, please keep in mind the following:

(1) The warranty card should be properly kept by the user. No replacement if lost. Invalid if altered.

(2) If there is a failure caused by non-man-made reasons, the user can have free maintenance at the designated maintenance point with the warranty card and the purchase certificate during the warranty period.

The following are not covered by warranty services:

- (1) The product exceeds the warranty period;
- (2) No valid invoice, and unable to prove that the purchased product is within the warranty period;
- (3) The model of warranty card does not match the product model;
- (4) No warranty card or the warranty card has been altered;
- (5) Damage caused by human factors;
- (6) Unauthorized maintenance, violent operation, disassembly, modification, extrusion, liquid infusion and corrosion;
- (7) Damage caused by force majeure such as floods, fires, lightning strikes, etc.

Huntkey will calculate proper maintenance costs based on parts and labor costs if users need repair services in the case of warranty services failure. We will give repair services after obtaining the user's consent and pay the fee.

This device complies with Part 15 of the FCC Rules.

Operation is subject to the following two conditions:

- (1) This device may not cause harmful interference, and
- (2) This device must accept any interference received, including interference that may cause undesired operation.



Huntkey Chiyuan Electric(Hong Kong) Co.,Ltd.

Shenzhen Huntkey Electric Co.,Ltd.

📍 Huntkey Industrial Park, Banxue Road, Bantian, Shenzhen, Guangdong, 518129, China

☎ +86-755-8960 6658

✉ huntkey@huntkey.com

🌐 www.huntkey.com

Made in China